

# **POWERNAIL® CO.**

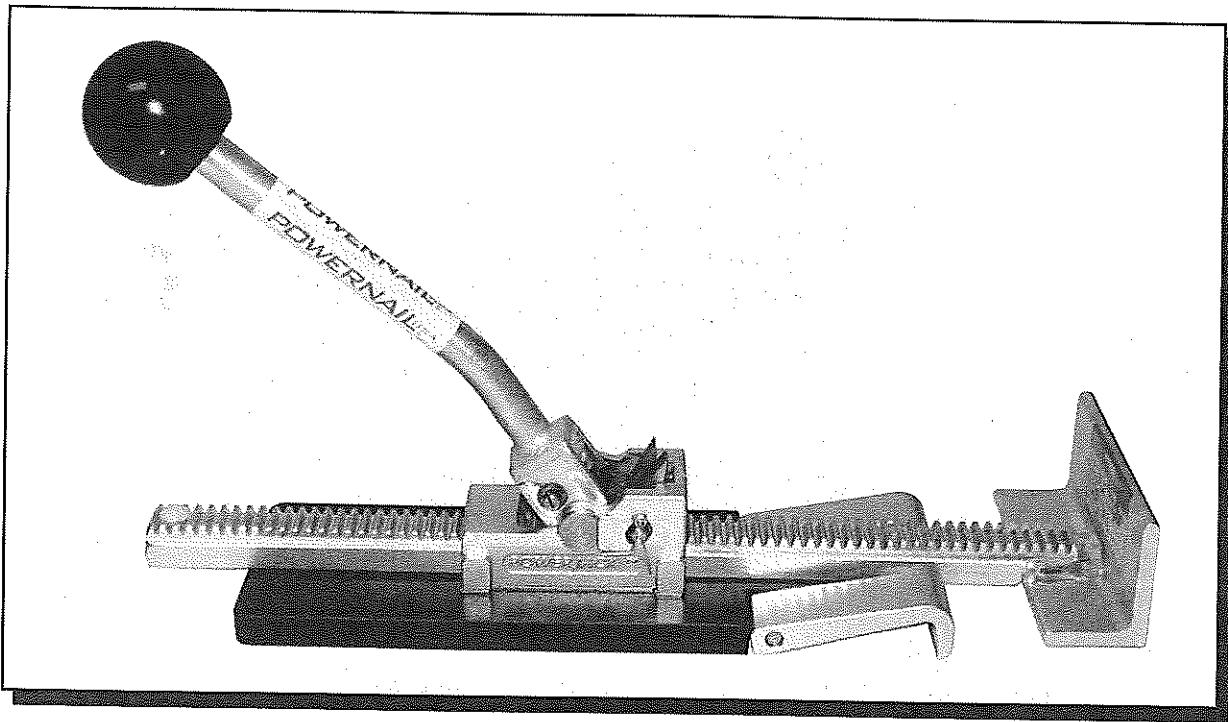
1300 Rose Road, Lake Zurich, IL 60047

Phone: 1-800-323-1653

Website: [www.powernail.com](http://www.powernail.com)

## **Operation and Maintenance Manual**

### **MODEL 500 Powerjack™ Manual**



**The Model 500 Powerjack is used to either push or pull hardwood flooring strips into place. The Powerjack can be left in place, hands free, while that section of flooring is being nailed down.**

#### **WARNING**

Read this manual before you use this Powerjack. Follow all safety warnings and instructions. If you are uncertain about the operation of the Powerjack, call us directly at 1-800-323-1653 for assistance or contact the closest Powernail Dealer for help. Please retain this information for future reference.

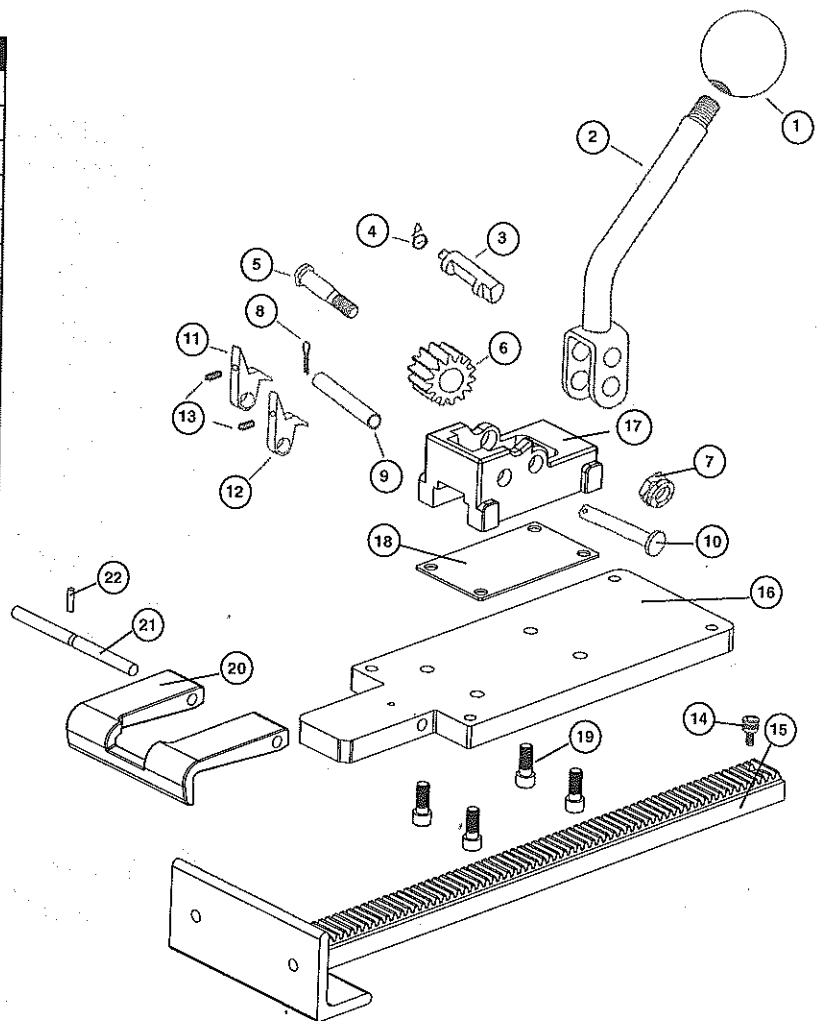
REV 6.1.11

## Model 500 Powerjack Safety

Always use approved eye protection.  
 Keep fingers away from gear area.  
 Do not hit the ratchet handle with a mallet.  
 Do not over torque.

## Model 500 Powerjack Exploded View

PART NAME	PART NO.
1. KNOB	08-100-00-010
2. HANDLE	08-100-00-020
3. RATCHET SHAFT	08-100-00-030
4. RATCHET SPRING	08-100-00-040
5. GEAR SHAFT	08-100-00-050
6. GEAR	08-100-00-060
7. GEAR SHAFT NUT	08-100-00-070
8. COTTER PIN	08-100-00-080
9. PAWL BUSHING	08-100-00-090
10. PAWL PIN	08-100-00-100
11. PAWL #1	08-100-00-110
12. PAWL #2	08-100-00-120
13. PAWL SPRING (2)	08-100-00-130
14. CAP SCREW	08-100-00-140
15. RACK ASSEMBLY	08-500-232A
16. BASE PLATE	08-500-00-250
17. HOUSING	08-100-00-180
18. HOUSING SPACER	08-500-00-190
19. 1/4-20 x .625 S.H.C.S. (4)	08-500-00-270
20. HOOK	08-500-00-260
21. DOWEL PIN	08-500-00-280
22. SET PIN	08-500-00-220
<b>REPAIR KITS</b>	
	<b>PART NO.</b>
TUNE-UP KIT	08-500-TU-KIT
OVERHAUL KIT	08-500-OVH-KIT

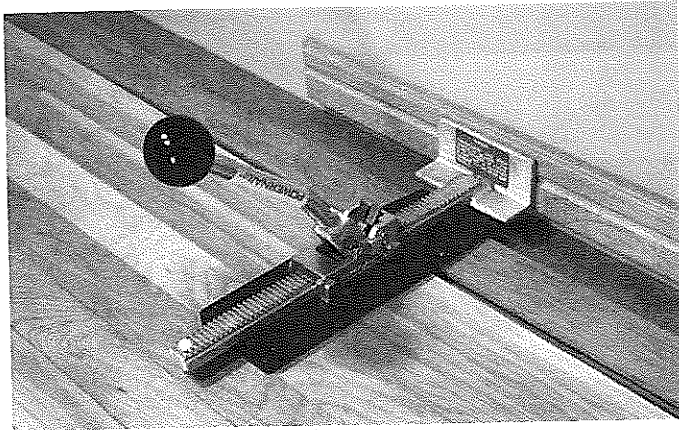


Visit our web page at <http://www.powernail.com>

**POWERNAIL® CO.**

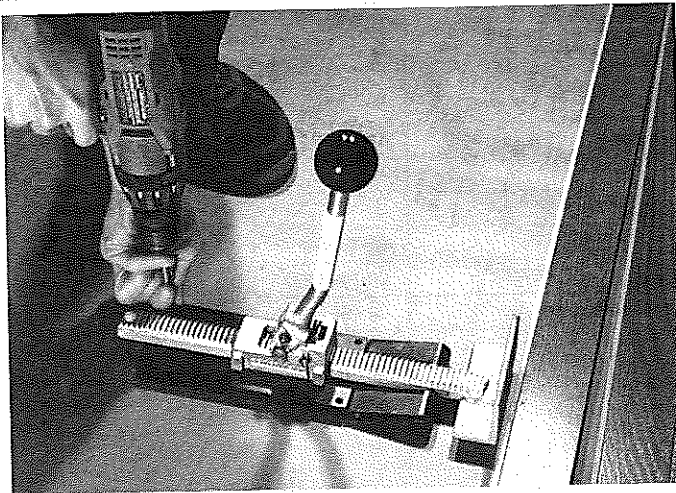
*Picture 1*

When near a wall, only push against a stationary surface such as a wall stud. When wall stud locations cannot be determined, push against a board long enough to span stud spacing to prevent breaking through the drywall (see picture 1).



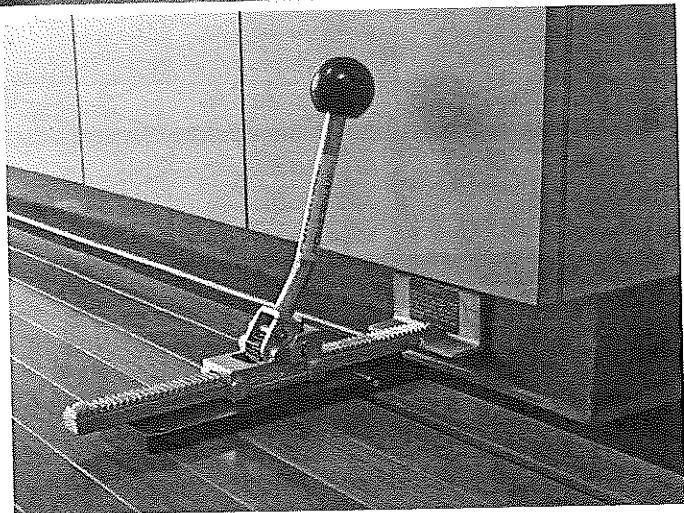
*Picture 2*

When not near a wall, the Model 500 can be used mid-floor by screwing the base directly to the sub floor and pushing the flooring strips into place (see picture 2).



*Picture 3*

When under the toe kick of a cabinet, the Powerjack Model 500 tightens up boards and holds them in place for hands-free nailing (see picture 3).



## Model 500 Powerjack

The POWERJACK Model 500 is designed to push or pull flooring strips into place and hold them tightly for hands-free nailing.

Easy to operate! Use the lever handle to ratchet the faceplate against a stationary surface. Continue to ratchet until the floor catch draws the flooring to the desired position. The POWERJACK can be left in place while you nail down the flooring strip. To release the POWERJACK, simply push the handle to full forward position.

The Model 500 POWERJACK sits on top of your flooring and gains leverage against a wall or a wall-stud. When a stud location cannot be determined, a board long enough to span the distance of the studs should be used to prevent breaking through the drywall (**picture 1**).

When not near a wall, the Model 500 can also be used mid-floor by screwing the base plate directly to the sub floor and pushing against your flooring strips. (**see picture 2**).

Under the toe kick of a cabinet, the POWERJACK Model 500 can be used to tighten up boards and hold them in place for hands-free nailing (**see picture 3**).

The Powerjack 500 self adjusts to the thickness of the wood flooring being installed.

### To Use:

1. Only push against a stationary surface such as a wall stud. When between wall studs, push against a board long enough to span the distance of the studs so as to prevent breaking through the drywall.
2. Ratchet the lever handle until faceplate contacts the stationary surface
3. Continue to ratchet until the floor catch draws the floor tight for nailing
4. The Powerjack 500 can be left in place, hands free, while that section of flooring is being nailed down.
5. When using the Powerjack mid-floor, screw the base plate to the subfloor in front of your flooring and use the Powerjack to push against your flooring strips.

### To release:

To release the Powerjack 500, push the handle to the full forward position.

**Powerjacks® are constructed in the USA and are made of the best materials available.**