

# **POWERNAIL® CO.**

1300 Rose Road, Lake Zurich, IL 60047

Phone: 1-800-323-1653

Website: [www.powernail.com](http://www.powernail.com)

## ***Operation and Maintenance Manual***

### ***MODEL 100 Powerjack™ Manual***



***Use the Model 100 Powerjack to pull together and hold hardwood flooring in place while nailing.***

#### **WARNING**

Read this manual before you use this Powerjack. Follow all safety warnings and instructions. If you are uncertain about the operation of the Powerjack, call us directly at 1-800-323-1653 for assistance or contact the closest Powernail Dealer for help. Please retain this information for future reference.

REV 7.08

# Model 100 Powerjack

The POWERJACK Model 100 is designed to pull flooring strips into place and hold them tightly for hands-free nailing.

Easy to operate! Use the lever handle to ratchet the faceplate against a stationary surface. Continue to ratchet until the floor catch draws the flooring to the desired position. The POWERJACK can be left in place while you nail down the flooring strip. To release the POWERJACK, simply push the handle to full forward position.

The Model 100 POWERJACK sits on top of your flooring and gains leverage against a wall, a wall-stud, or the toe kick of cabinetry (**see picture 1**).

When a stud location cannot be determined, a board long enough to span the distance of the studs should be used to prevent breaking through the drywall (**picture 2**).

When not near a wall, a temporary anchor point such as a two-by-four fixed to the sub floor can be used (**see picture 3**).

## **To Use:**

1. Only push against a stationary surface such as a wall stud. When between wall studs, push against a board long enough to span the distance of the studs so as to prevent breaking through the drywall.
2. Ratchet the lever handle until faceplate contacts the stationary surface
3. Continue to ratchet until the floor catch draws the floor tight for nailing
4. The Powerjack 100 can be left in place, hands free, while that section of flooring is being nailed down.

**To release the Powerjack 100, push the handle to the full forward position.**

***Powerjacks® are constructed in the USA and are made of the best materials available.***

***Picture 1***

The Model 100 pushes against a stud location on a stationary wall to pull the strips into place. Great for snugging-up end strips against walls, wall trim or fixed cupboards or cabinets (see picture 1).



***Picture 2***

When a stud location cannot be determined, a board long enough to span the distance of the studs should be used to prevent breaking through the drywall (see picture 2).



***Picture 3***

If needed, the Powerjack can also be used away from the wall by setting a stationary anchor point anywhere near your work area (see picture 3).

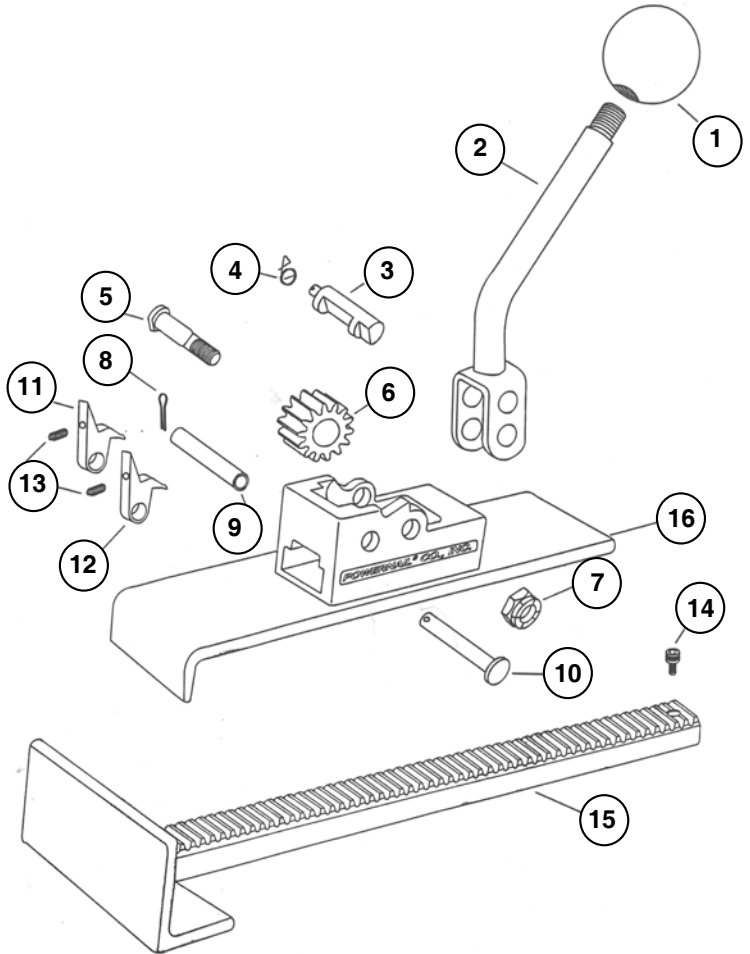


## Model 100 Powerjack Safety

- Always use approved eye protection.
- Keep fingers away from gear area.
- Do not hit the ratchet handle with a mallet.
- Do not over torque.

## Model 100 Powerjack Exploded View

PART NAME	PART NO.
1. KNOB	08-100-00-010
2. HANDLE	08-100-00-020
3. RATCHET SHAFT	08-100-00-030
4. RATCHET SPRING	08-100-00-040
5. GEAR SHAFT	08-100-00-050
6. GEAR	08-100-00-060
7. GEAR SHAFT NUT	08-100-00-070
8. COTTER PIN	08-100-00-080
9. PAWL BUSHING	08-100-00-090
10. PAWL PIN	08-100-00-100
11. PAWL #1	08-100-00-110
12. PAWL #2	08-100-00-120
13. PAWL SPRING (2)	08-100-00-130
14. CAP SCREW	08-100-00-140
15. RACK ASSEMBLY	08-100-00-150
16. BASE ASSEMBLY	08-100-00-160
REPAIR KITS	PART NO.
TUNE-UP KIT	08-100-TU-KIT
OVERHAUL KIT	08-100-OVH-KIT



Visit our web page "Where to Buy" at [www.powernail.com](http://www.powernail.com)

**POWERNAIL® CO.**