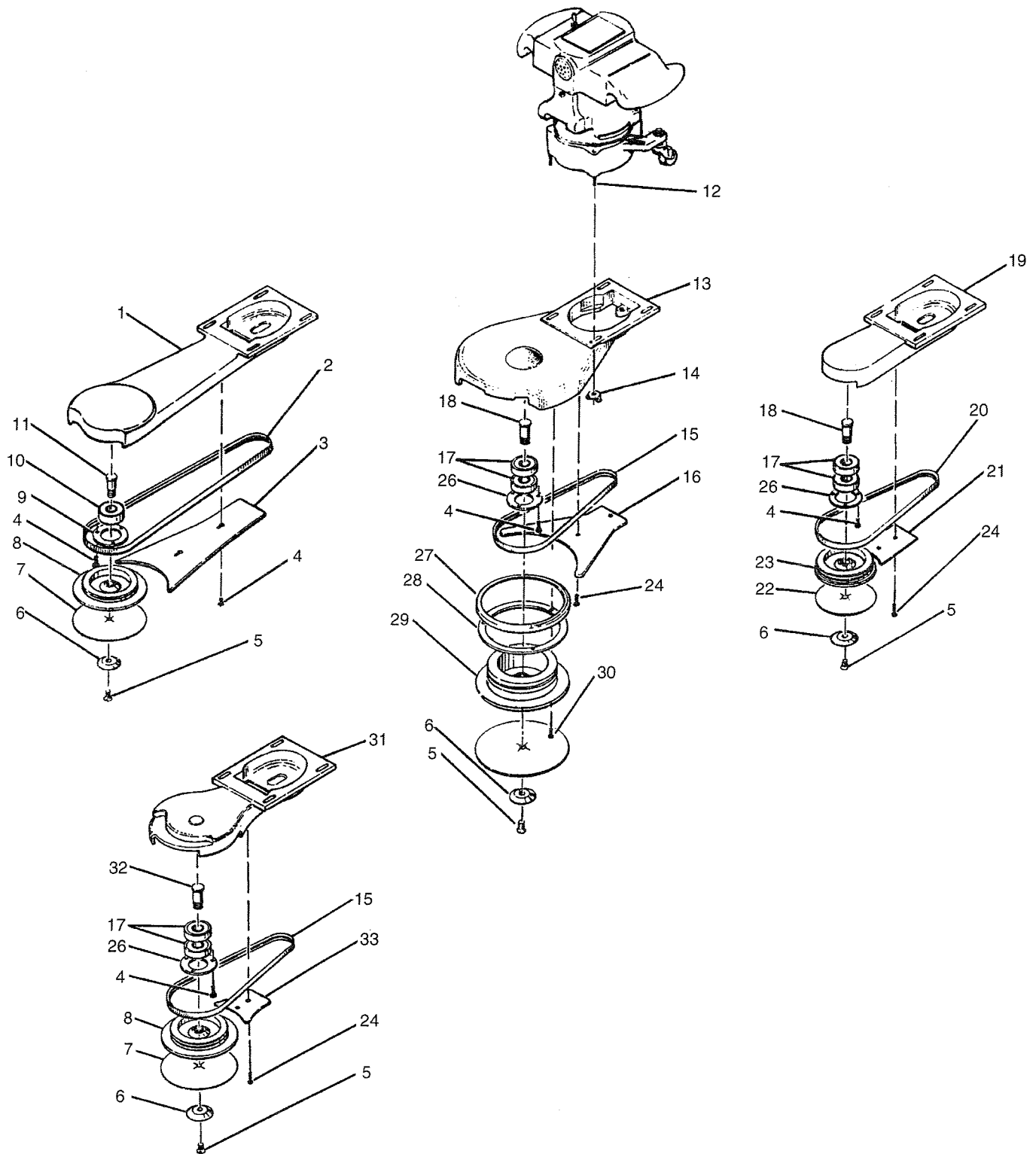


Clarke®
American Sanders
 Model Super E Edger
 Drawing #2 1/03



Clarke®
American Sanders
Model Super E Edger
Drawing #1 12/06

