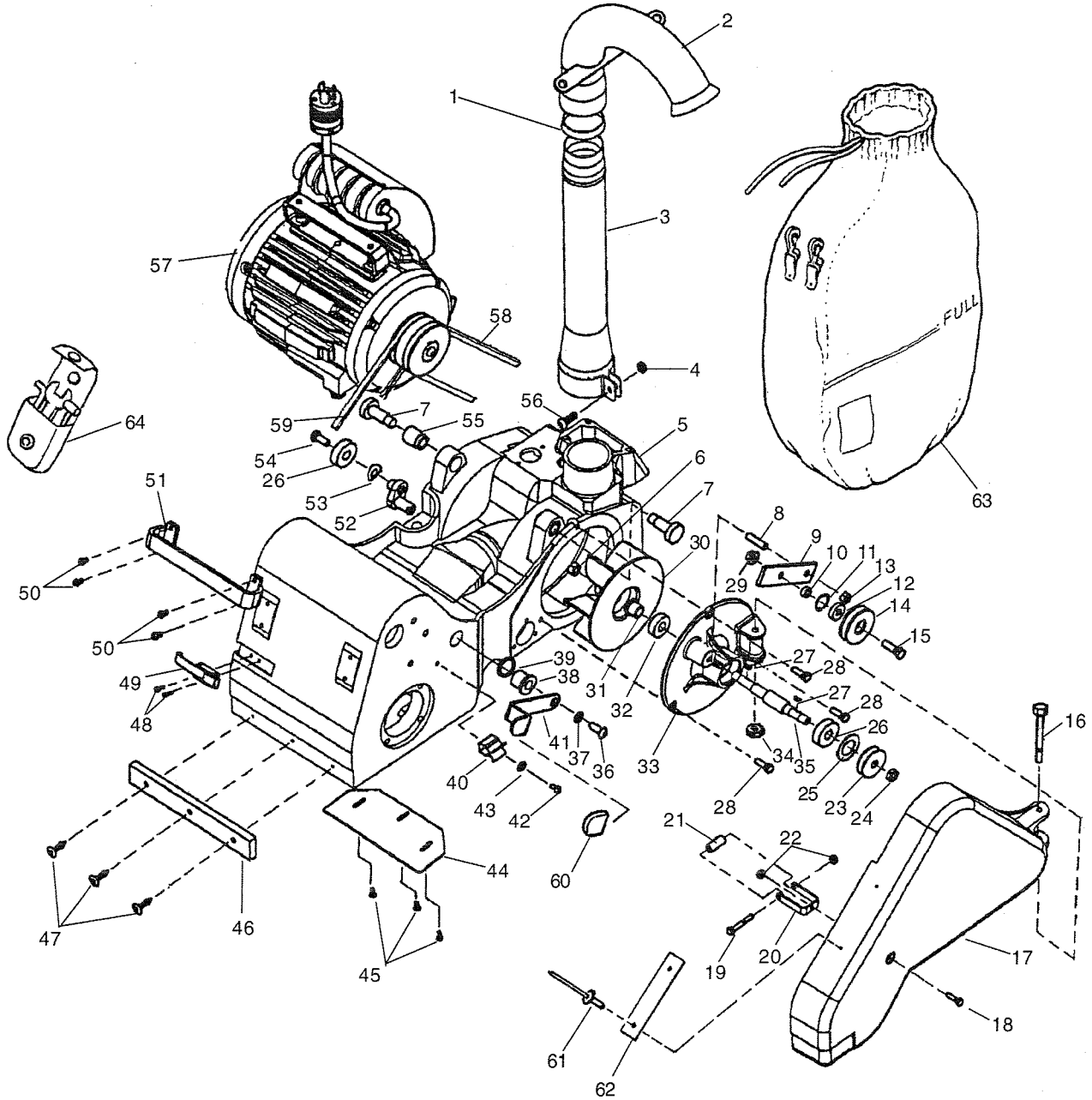


Clarke
American Sanders
FloorCrafter
Main Assembly Drawing #1 6/02



Clarke®
American Sanders
 FloorCrafter Belt Sander
 Handle Control Assembly Drawing #2 11/04

