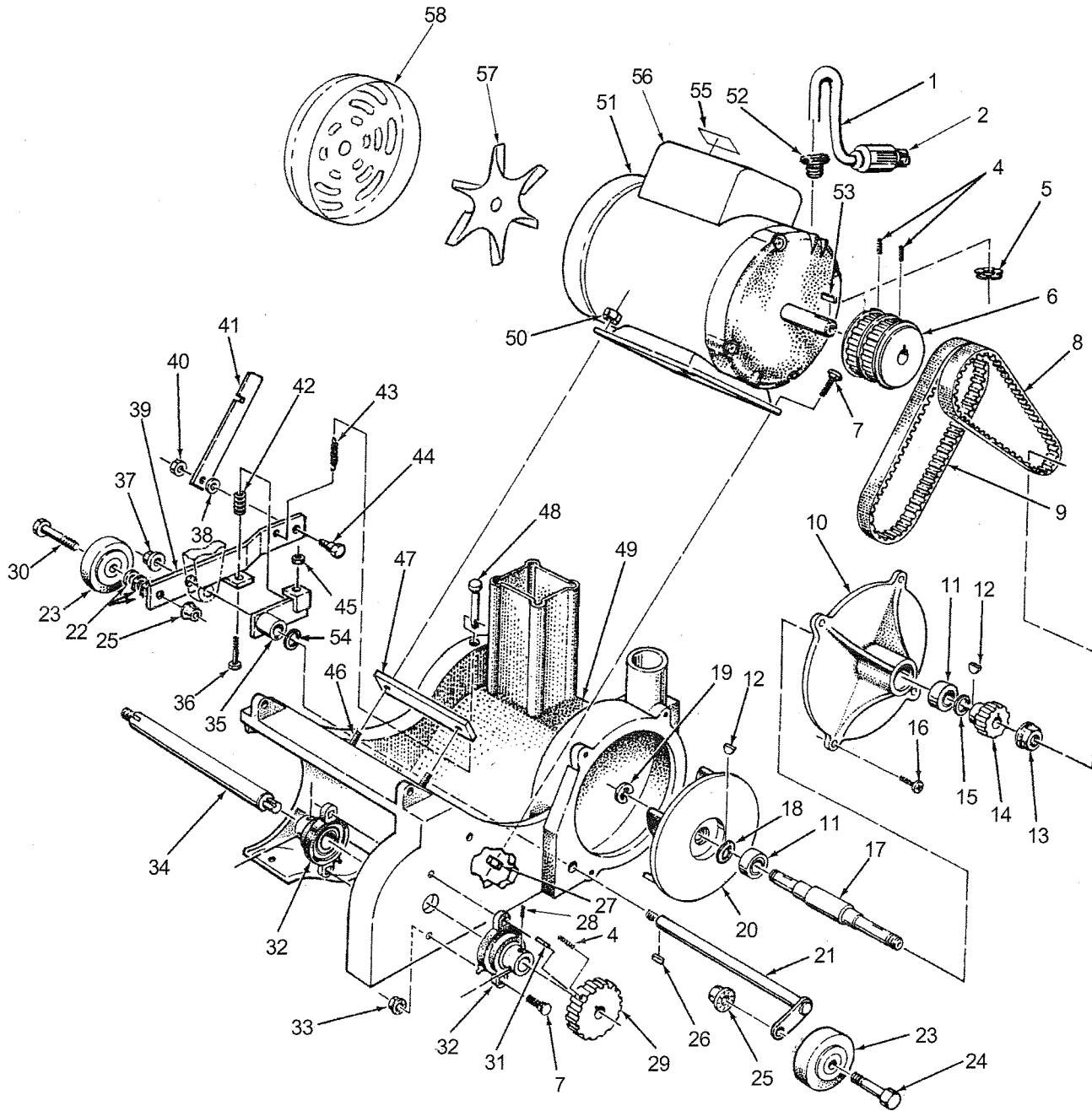


**Clarke**  
**American Sanders**  
EZ-8 Sander  
Assembly Drawing #1 11/01



**Clarke®**  
**American Sanders**  
**EZ-8 Sander**  
**Assembly Drawing #2 2/07**

