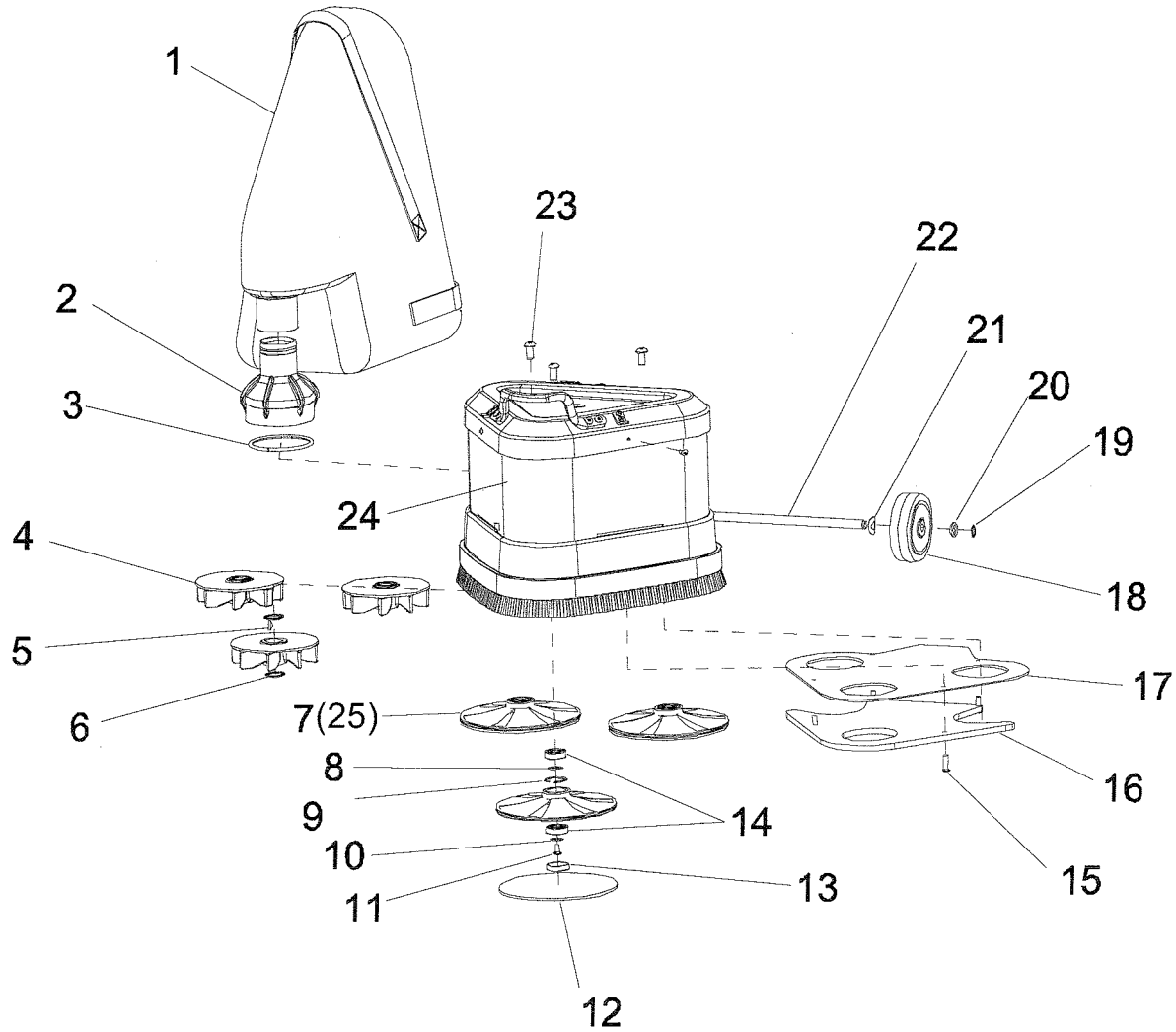


Clarke
American Sanders
 EZ Sand
 Assembly Drawing and Parts List #1 4/08



Ref. #	Part No.	Description	Qty
1	53673A	Dust Bag	1
2	53676A	Adapter, Dust Bag	1
3	61795A	Ring, Locking Adapter	1
4	29893A	Dust Fan	3
5	915028	Key, 1/8 x 5/8	3
6	807305	Retaining Ring	6
7	38734A	Disc, Sanding	3
8	61355A	Spacer	3
9	747304	Retaining Ring	3
10	87007A	Washer, Flat, 1/4	3
11	87700A	Screw, 1/4-20 x 1/2	3
12	11139A	Pad, Foam Driver	1
13	30771A	Plug, Sanding Pad	3

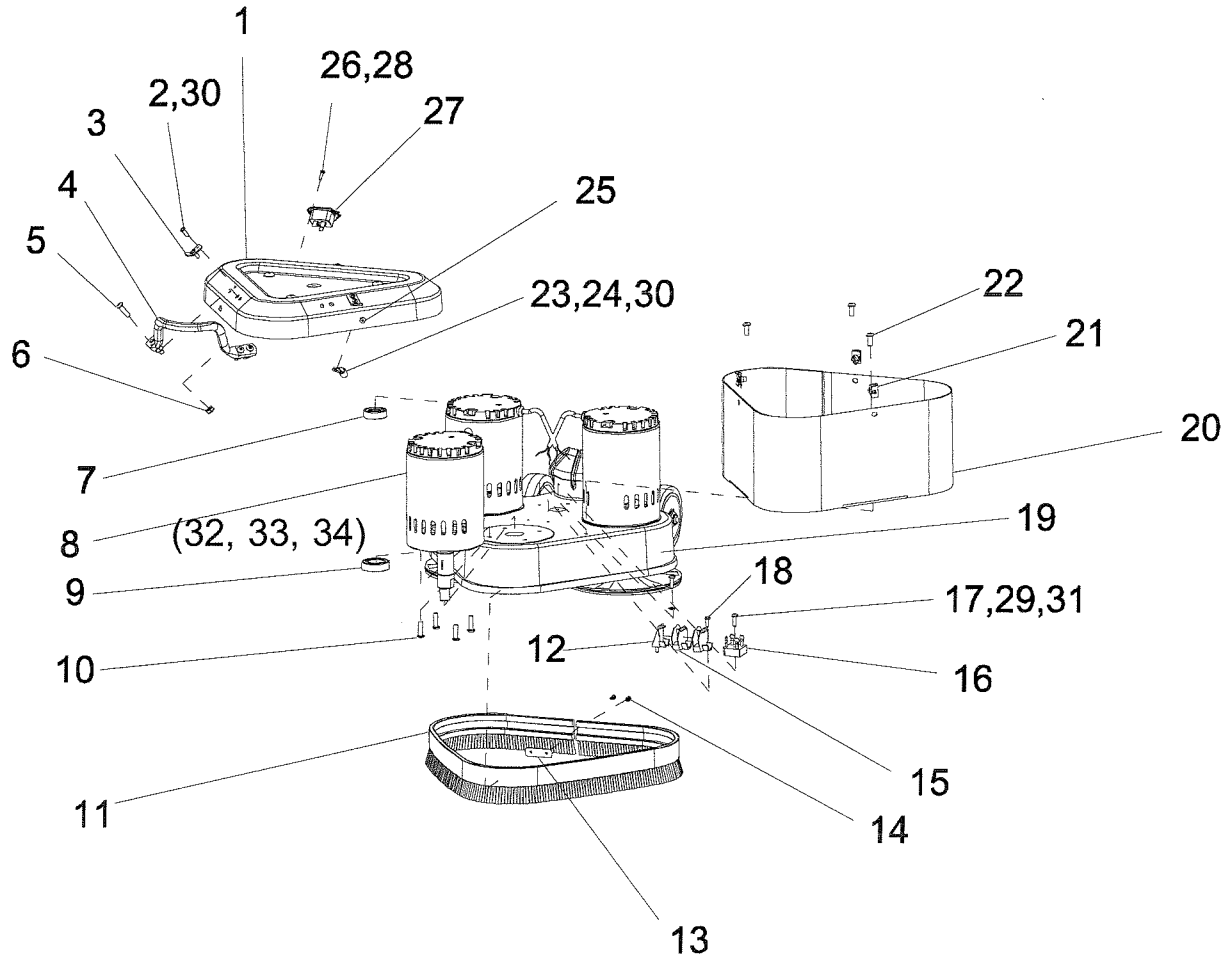
Ref. #	Part No.	Description	Qty
14	902606	Bearing	6
15	80139A	Screw, 1/4-20 x 7/8	4
16	61873A	Weight, Bottom	1
17	61841A	Cover, Bottom	1
18	59940A	Wheel, 4" OD	2
19	507342	Retaining Ring, 1/2 OD	2
20	980215	Washer, Thrust	2
21	80295A	Washer, Bowed	2
22	61744B	Axle, Wheel	1
23	962565	Screw, 3/8-16 x 1/2	3
24	70499A	Label, CAS	1
*25	11148A	Kit, Hook Repair	1
NI	11154A	Disc (incl. items 7,8,9,14)	3

NOTE: ♦ indicates a change has been made since the last publication of this manual.

*NOTE: Item 25 will repair one complete machine.

**Clarke®
American Sanders**

**EZ Sand
Assembly Drawing & Parts List #2 4/08**

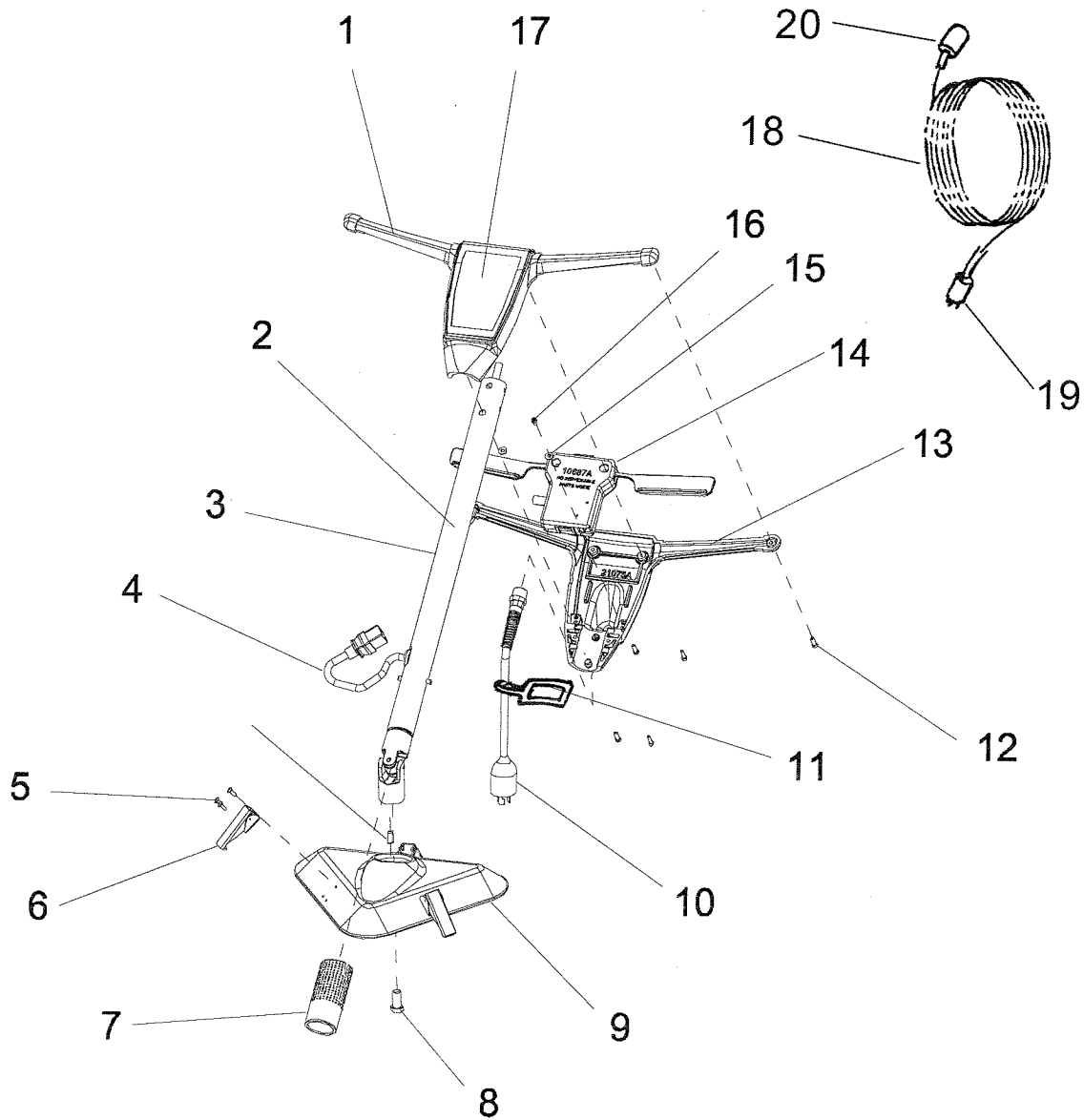


Ref. #	Part No.	Description	Qty	Ref. #	Part No.	Description	Qty
1	61846A	Cover, Motor	1	19	29892A	Mainframe	1
2	962027	Screw, 8-32 x 1/2	5	20	61847A	Shroud, Motor	1
3	53770A	Keeper, Latch	3	21	80319A	Nut, 10-24, U-Type	3
4	61806A	Handle, Housing	1	22	962822	Screw, 1/4-20 x 5/8	3
5	98472A	Screw, 1/4-20 x 5/8	4	23	872102	Nylon Clip	1
6	81217A	Nut, Lock, 1/4-20	4	24	85614A	Screw, 8-32 x 3/4	1
7	902567	Ball Bearing	3	25◆	962666	Screw, 10-24 x 3/4	3
8	53672A	Motor, EZ Sand	3	26	80310A	Screw, 6-32 x 1/2	2
9	51176A	Ball Bearing	3	27	40930A	Inlet, Electrical	1
10	80139A	Screw, 1/4-20 x 7/8	12	28	920056	Nut, Lock, 6-32	2
11	30685A	Dust Skirt	1	29	980650	Washer, Lock #10	1
12	40958A	Adapter, Mounting	1	30	920065	Nut, Lock, 8-32	6
13	61793A	Plate, Backing, Skirt	1	31*	980603	Washer, Lock, #10 Ext.	1
14	80309A	Screw, #6 x 3/8	2	32	54287A	Armature	1
15	40957A	Terminal Block	2	33	40826A	Brush	2
16	912287	Rectifier	1	34	448396	Brush Springs	2
17◆	85307A	Screw, 10-32 x 5/8	2*	NI	40928A	Harness (attaches item 27 to item 16)	1
18	85303A	Screw, 8-32 x 3/8	2	NI	40956A	Harness (attaches item 16 to item 15)	1

NOTE: Second screw and item 31 are used for attaching ground wires.

NOTE: ◆ indicates a change has been made since the last publication of this manual.

Clarke®
American Sanders
EZ Sand
Assembly Drawing & Parts List #3 1/07



Ref. #	Part No.	Description	Qty
1	21074A	Handle, Front	1
2	71157A	Label, Warning	1
3	61842A	Handle Weldment	1
4	40929A	Cord, Interconnect	1
5	962027	Screw, 8-32 x 1/2	9
6	55721A	Latch, Cam	3
7	61801A	Collar, Handle Lock	1
8	80318A	Screw, 1/2-13 x 1	1
9	29895A	Weight, Iron	1

Ref. #	Part No.	Description	Qty
10	40931A	Cord, Pigtail	1
11	70175A	Tag, Warning	1
12	80284A	Screw, 10-32 x 3/4	6
13	21075A	Handle, Back	1
14	10687A	Module, Interlock	1
15	80291A	Washer, Flat #10	1
16	80290A	Screw, 10-32 x 3/8	2
17	71156A	Label, Handle	1
18	40540A	Cordset	1
19	911248	Plug	1
20	911461	Connector L5-15R	1