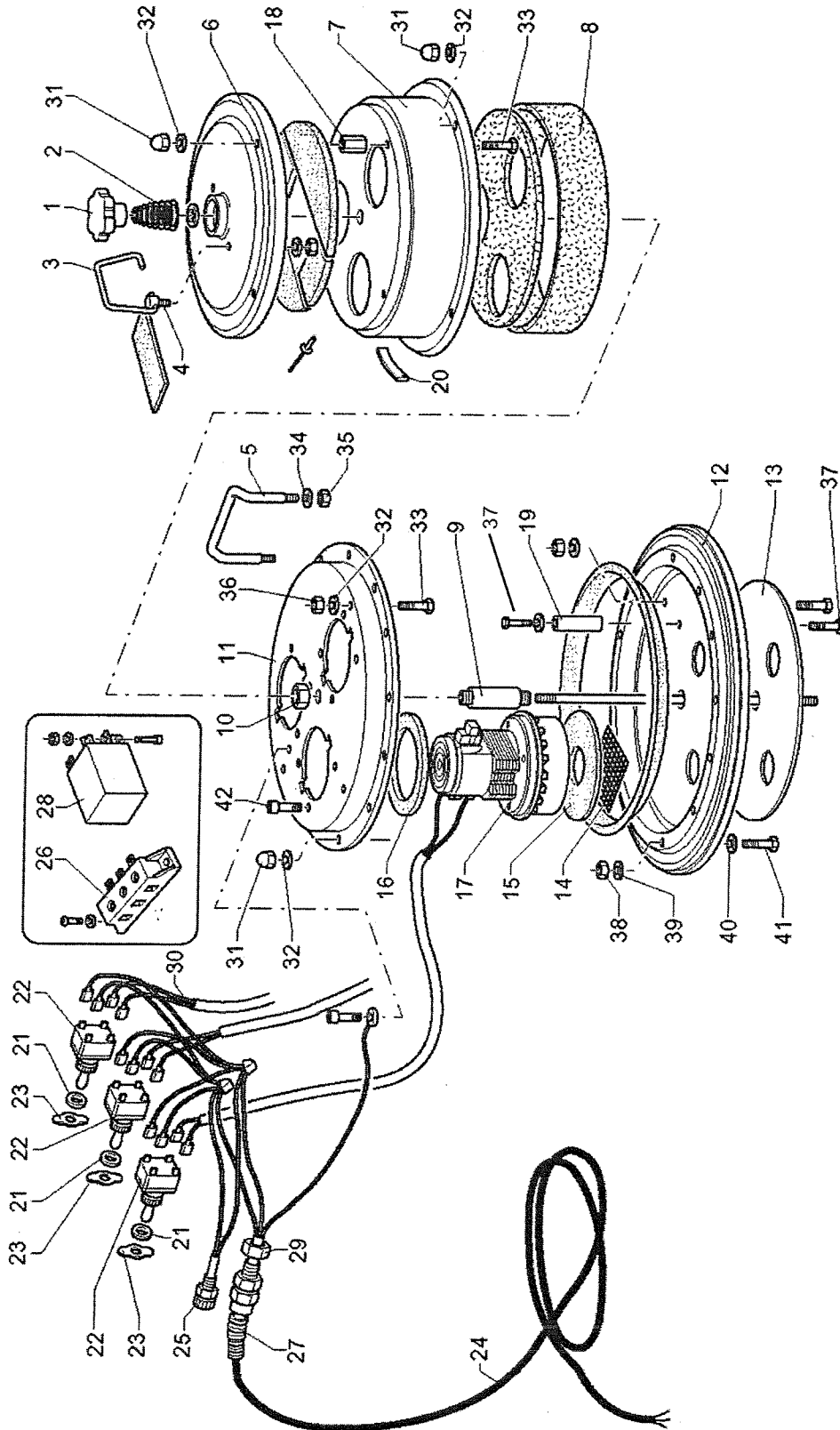
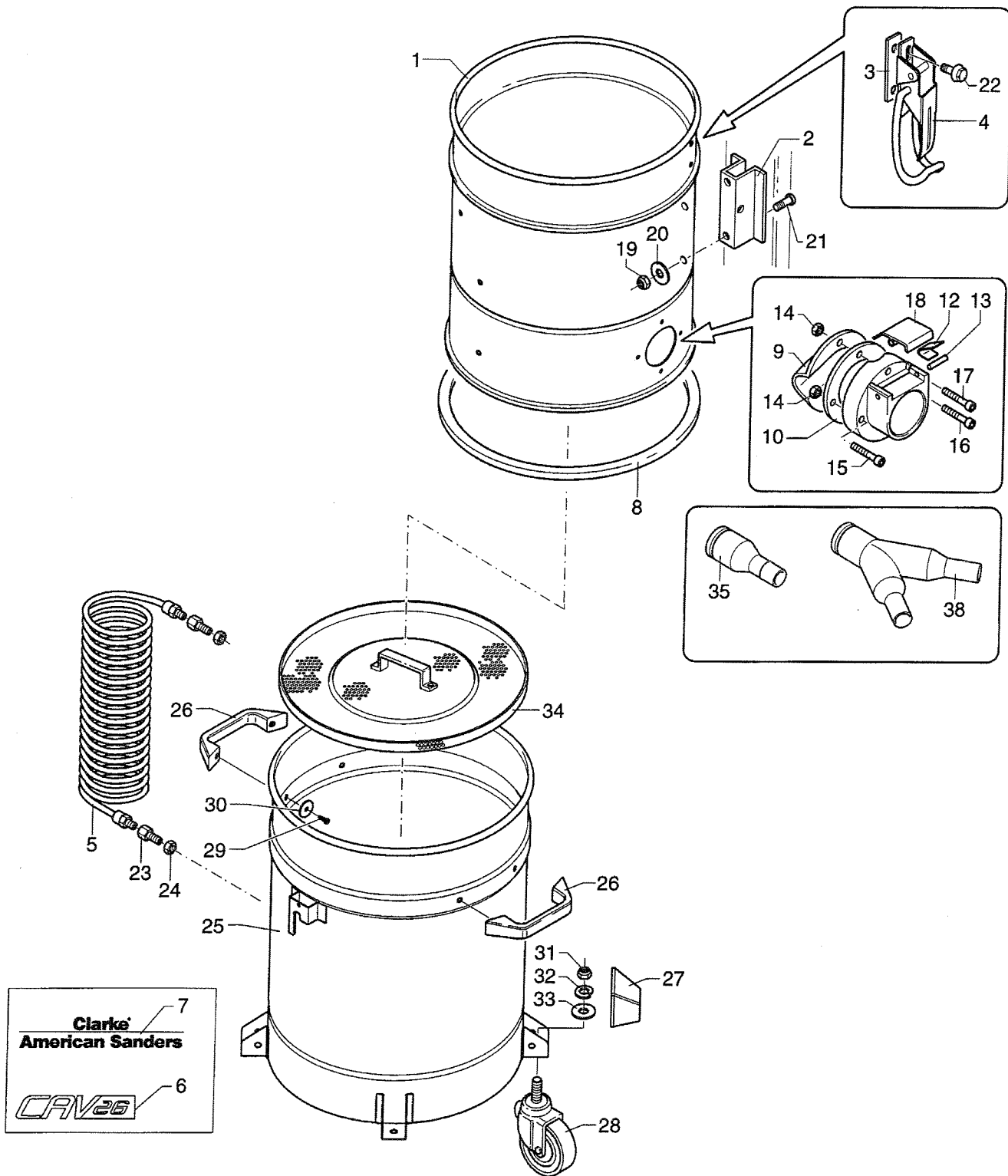


Clarke  
American Sanders  
**CAV 26**

Motorhead Assembly Drawing ♦ 7/08



**Clarke**  
**American Sanders**  
**CAV26**  
 Container Unit Assembly Drawing 2/06



Clarke  
American Sanders  
**CAV 26**

Frame Assembly Drawing 2/06

