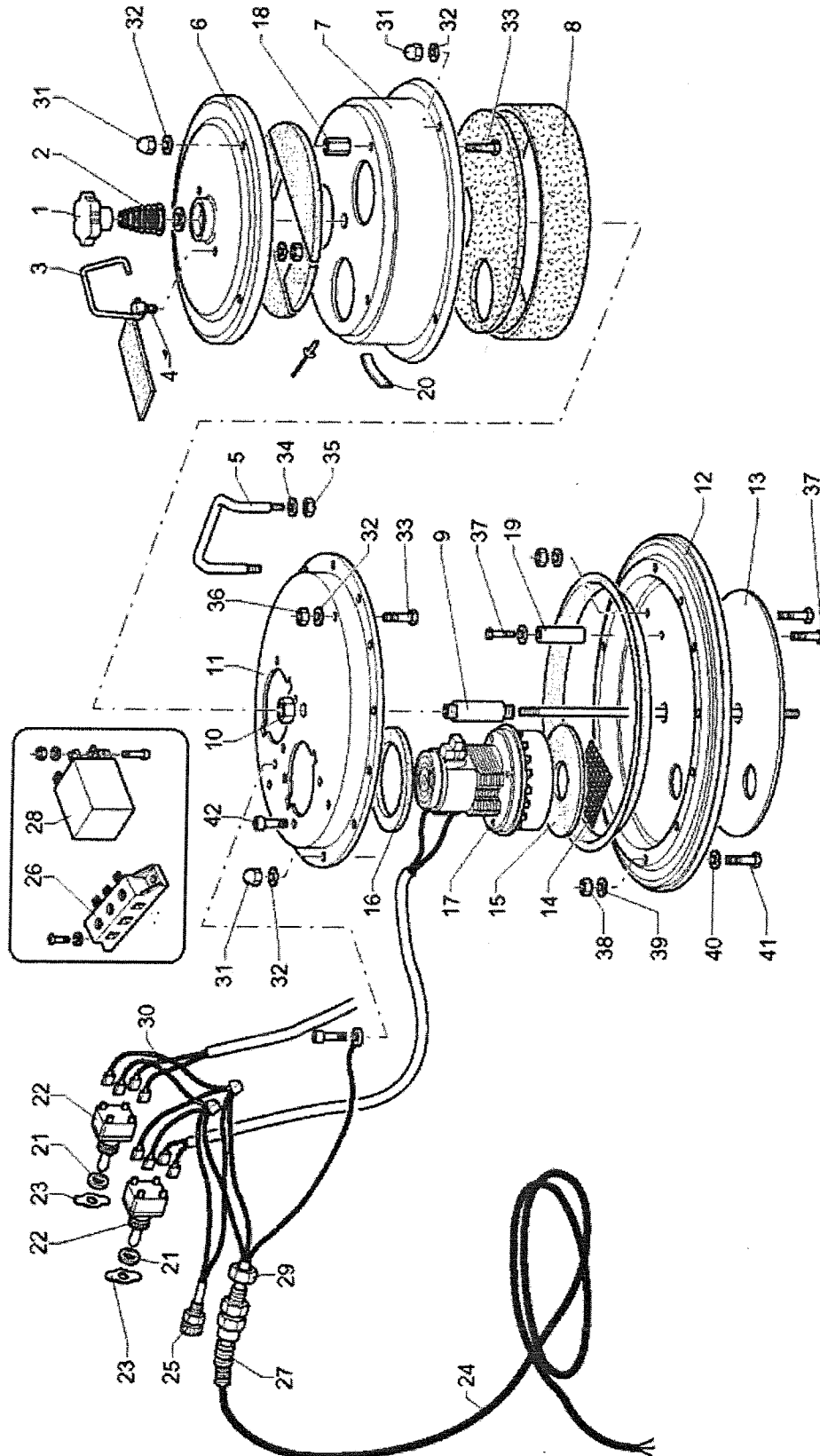
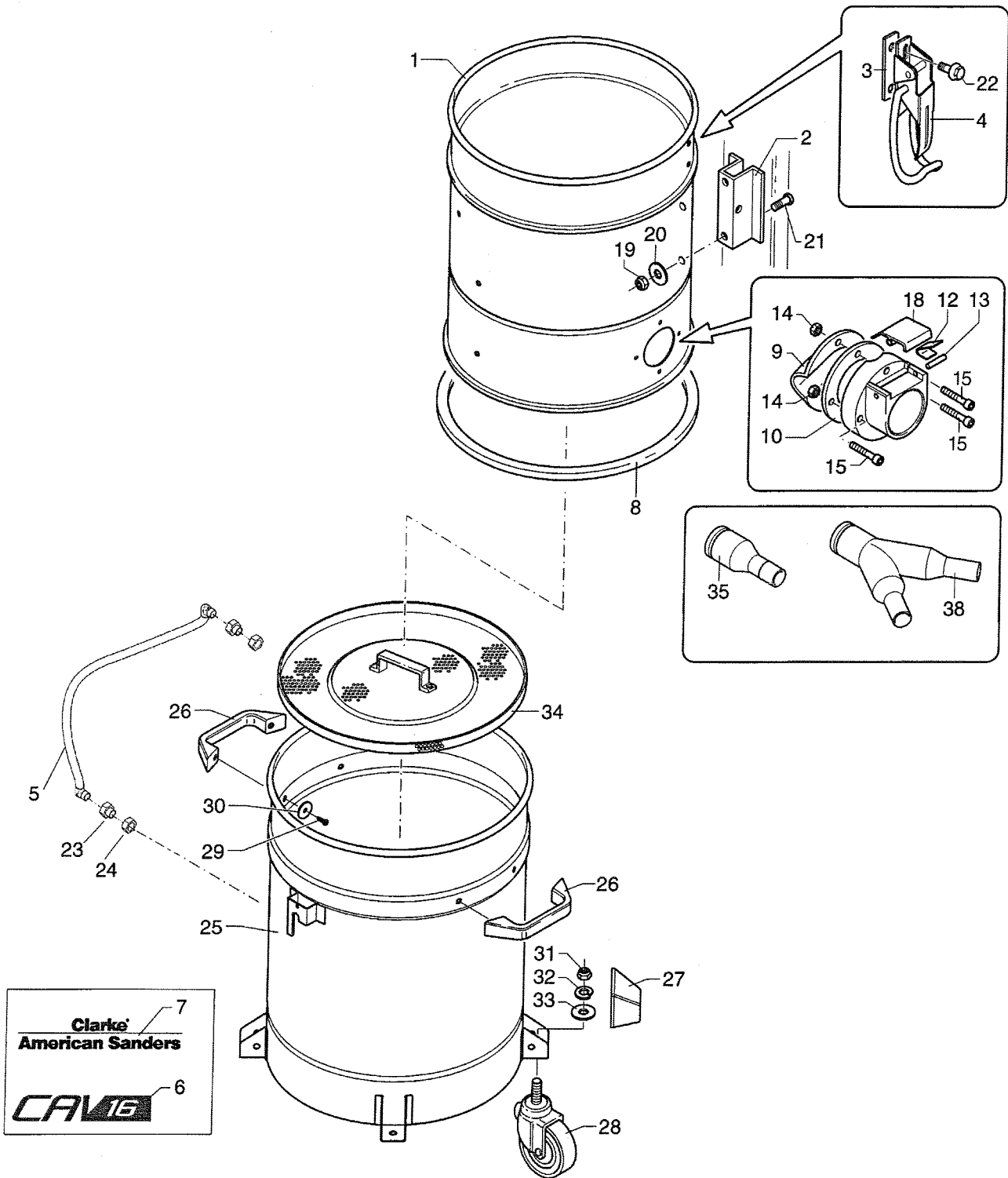


Motorhead Assembly Parts List 10/07



**Clarke®
American Sanders
CAV 16**

Container Unit Assembly Drawing 12/07



Clarke®
American Sanders
CAV 16
 Frame Assembly Drawing 10/07

