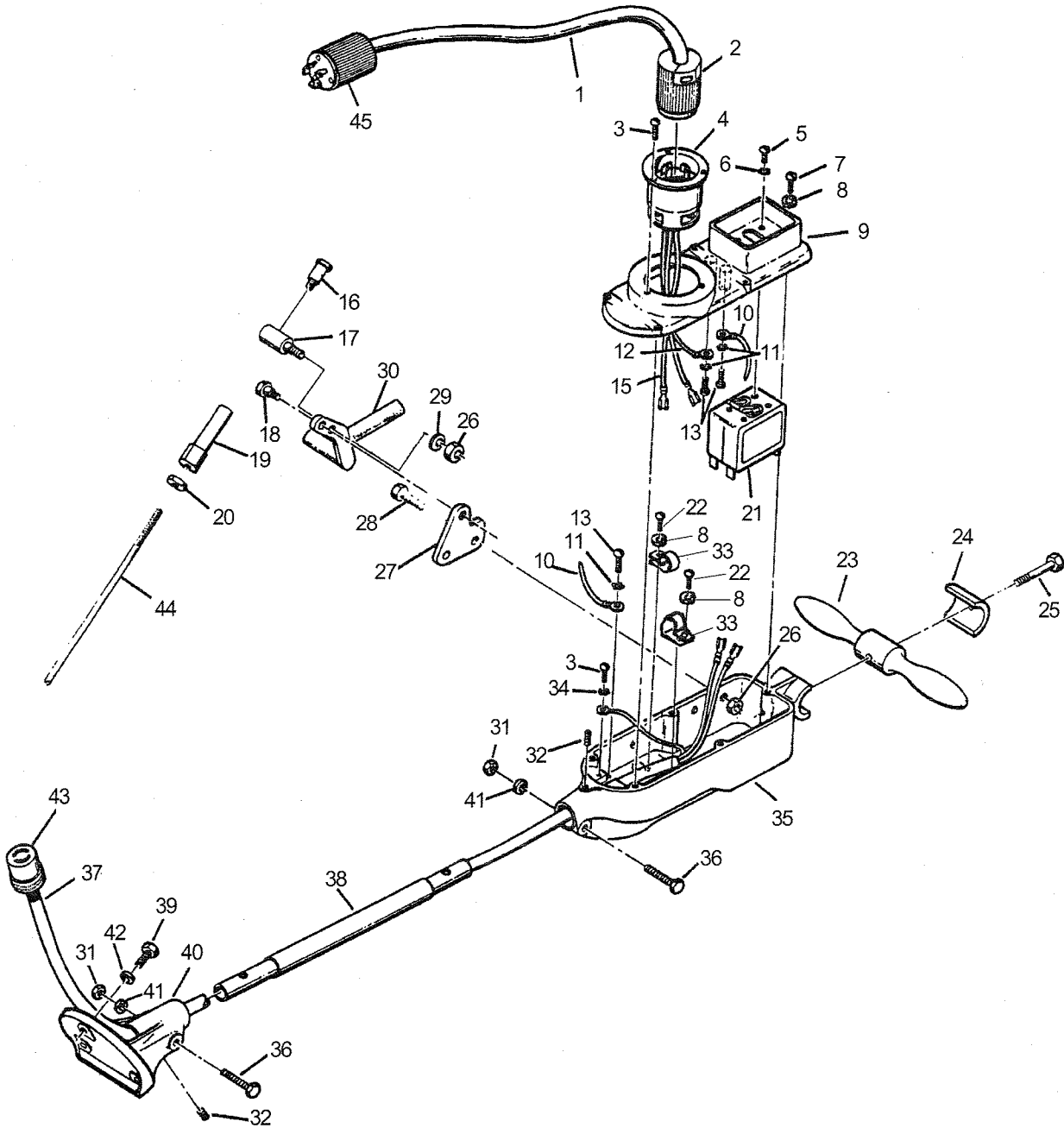


**Clarke**  
**American Sanders**  
Model American 8 Floor Sander  
Drawing #1 Handle Assembly 12/00



**Clarke®**  
**American Sanders**  
 Model American 8 Floor Sander  
 Drawing #2 12/00

