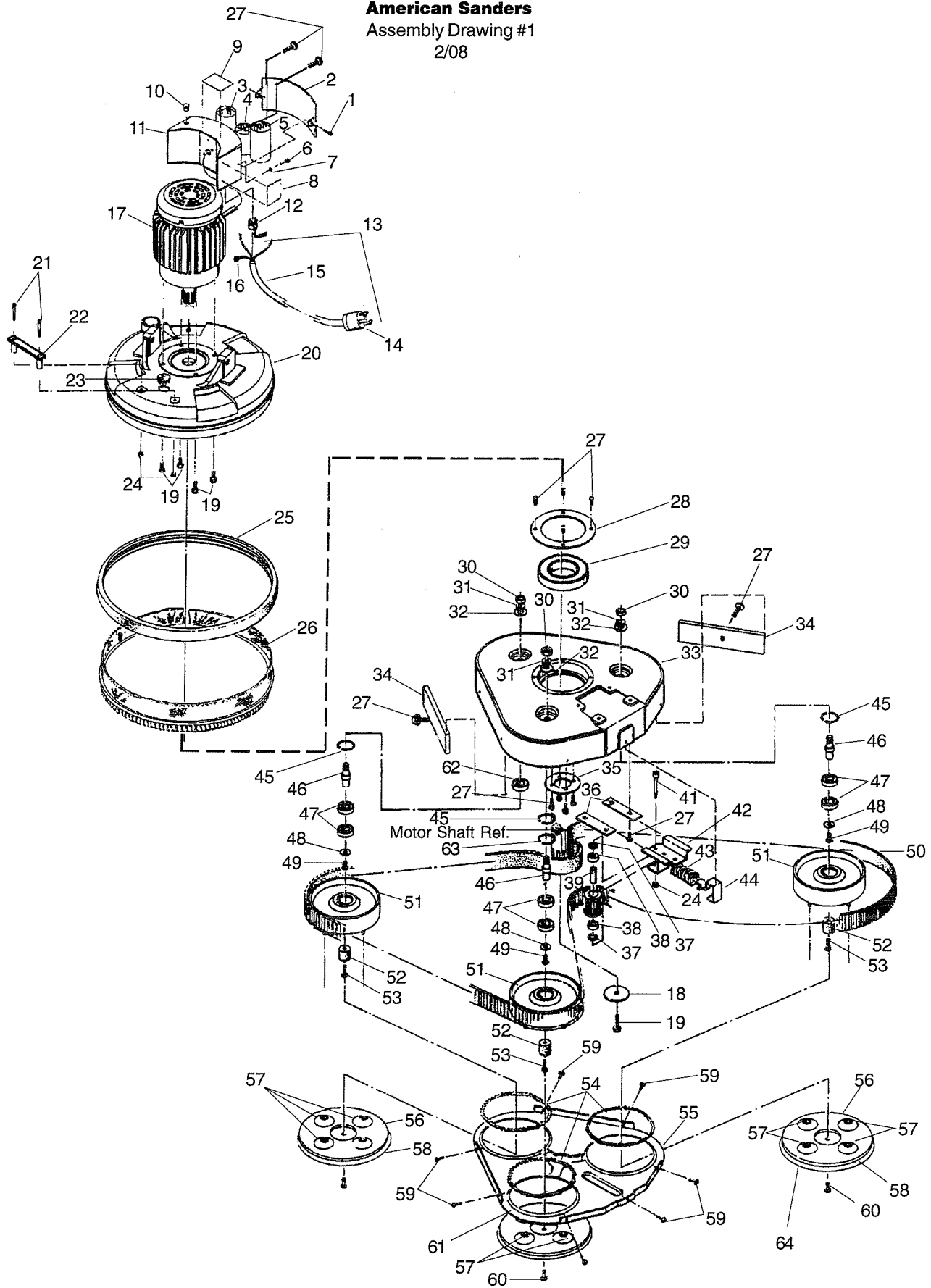


**Clarke®
American Sanders**
Assembly Drawing #1
2/08



Clarke®
American Sanders
 Assembly Drawing #2
 2/08

